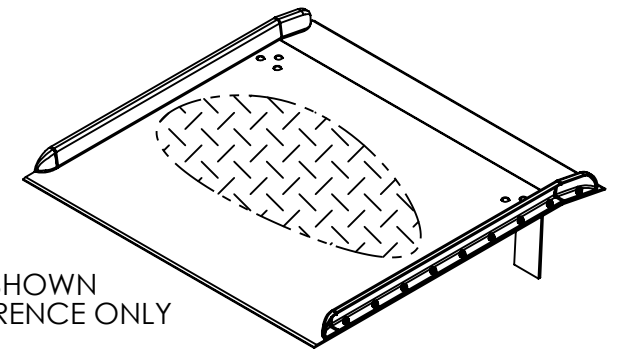
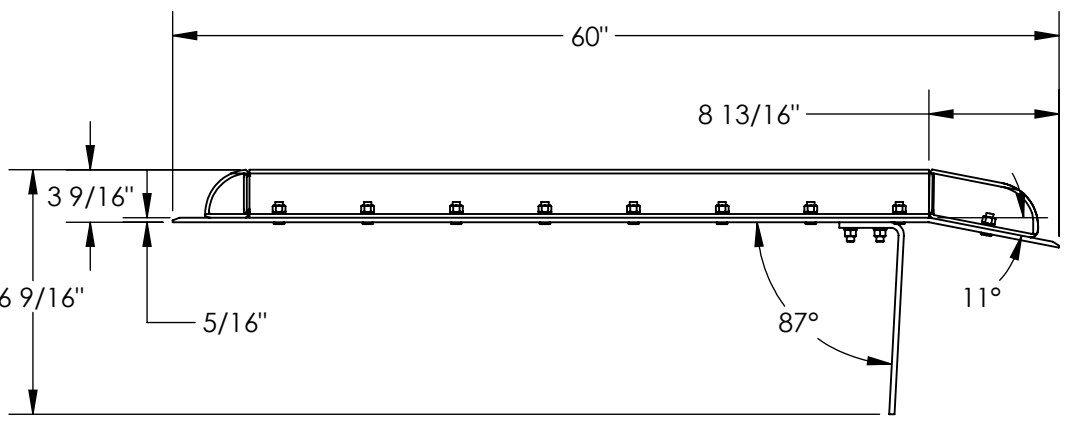
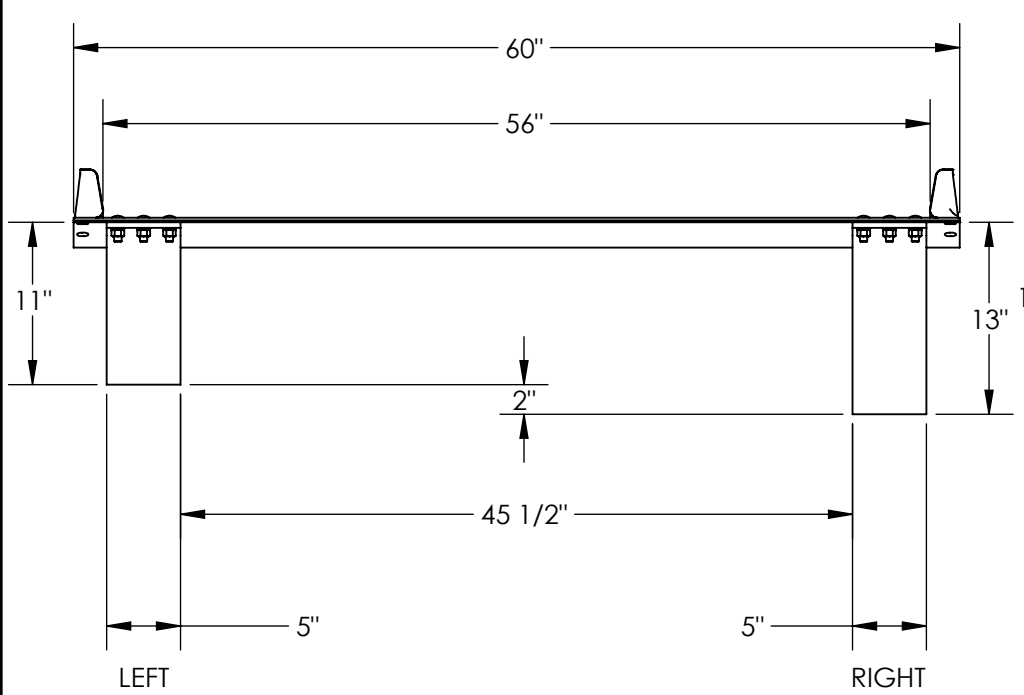


ALUMINUM TRUCK DOCKBOARD WITH STEEL SAFETY CURB - TAS-10-6060

APPROX WEIGHT: 172.66 lbs.
DOES NOT INCLUDE WEIGHT OF POWER OR PACKAGING!!!

*** ANY ADDITIONS, DELETIONS, OR OMISSIONS MUST BE CORRECTED ON THIS DRAWING AS THIS DRAWING WILL BE CONSIDERED ALL INCLUSIVE ***
ALL GRAPHICS PROVIDED ARE FOR REFERENCE ONLY. IF CERTAIN DIMENSIONS ARE CRITICAL PLEASE VERIFY THOSE DIMENSIONS WITH YOUR SALESPERSON



3D VIEW SHOWN FOR REFERENCE ONLY

LEGS: RIGHT LEG IS 13" LG, LEFT LEG IS 11" LG. LEGS ARE UNEVEN TO CREATE A GAP SO DOCKBOARD CAN BE PICKED UP BY A FORK LIFT

STANDARD FEATURES

- MODEL NUMBER IS: TAS-10-6060
- MAX CAPACITY IS: 10,000 LBS
- OVERALL WIDTH IS: 60"
- USABLE WIDTH IS: 56"
- OVERALL LENGTH IS: 60"
- USABLE LENGTH IS: 60"
- OVERALL HEIGHT IS: 16 9/16"
- DOCKPLATE THICKNESS: 5/16"
- CROWN IS 11° & 8 13/16" FROM EDGE
- HEIGHT DIFFERENCE IS: 10"
- ALUMINUM CONSTRUCTION WITH BOLT-ON STEEL CURBS

SPECIAL FEATURES

NONE

DIMENSION TOLERANCE ± 1/4"

APPROVAL	I, THE UNDERSIGNED, AGREE THAT THE PRODUCT AS REPRESENTED SATISFIES DESIGN AND DIMENSION REQUIREMENTS. I ALSO ACKNOWLEDGE MY DUTY TO CONFIRM PRODUCT AND INSTALLATION COMPLIANCE WITH ALL APPLICABLE FEDERAL, STATE AND LOCAL REGULATIONS AND STANDARDS.	
	UNITS REQUIRING APPROVAL DRAWINGS OR MODIFIED ARE NON-RETURNABLE	
	[] As drawn	[] As marked
	Signed: _____ Date: _____	
Printed Name: _____		
LEAD TIME WILL START UPON RECEIPT OF SIGNED APPROVAL DRAWING		

DISTRIBUTOR'S NAME:		P.O.#
VESTIL MANUFACTURING		X
DRAWN BY: ALH		W.O.#
DATE: 06/23/2011		X
REFERENCE: X	SCALE: 1:13	SALES: X
QUOTED LEAD TIME: X	QUOTE #	FILE NAME:
	X	11-007-034